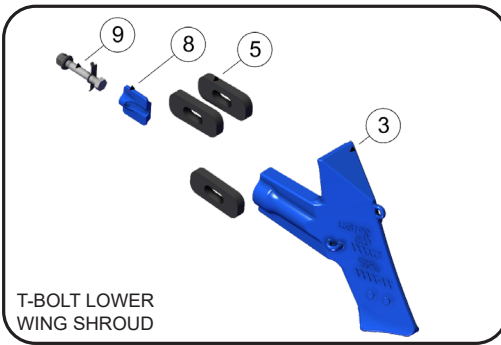
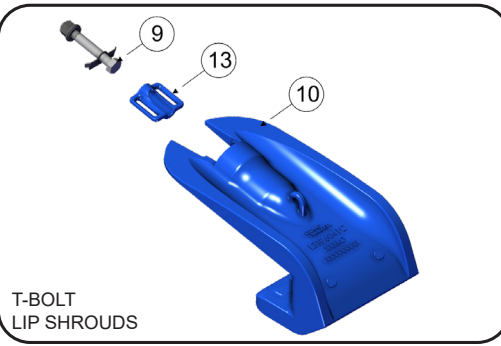
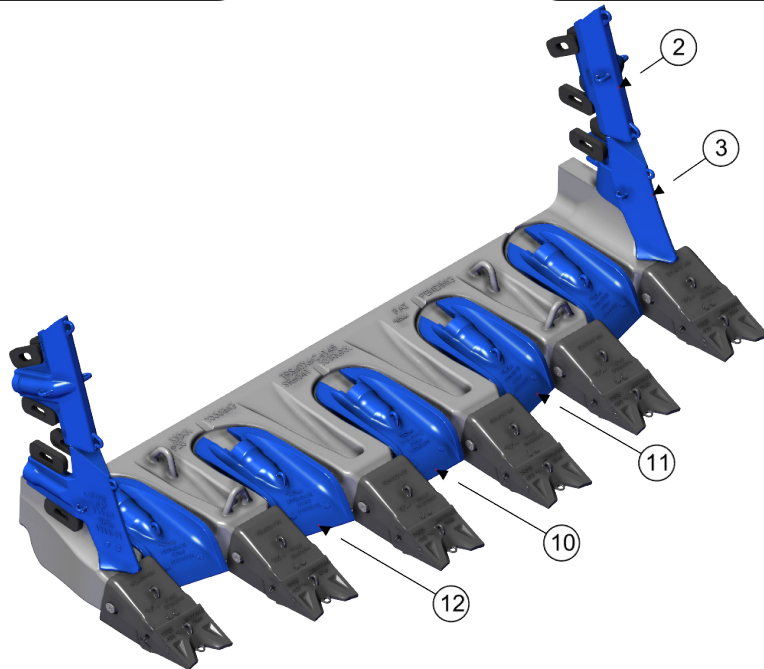


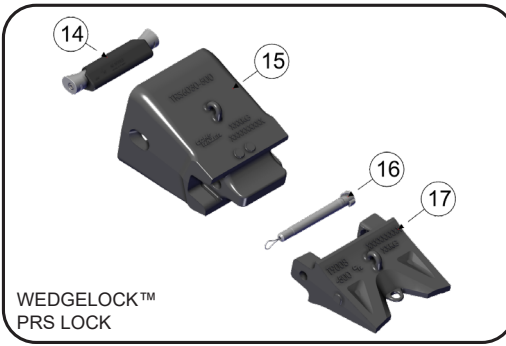
T-BOLT UPPER WING SHROUD



T-BOLT LOWER WING SHROUD



T-BOLT LIP SHROUDS



WEDGELOCK™ PRS LOCK



N2000
G.E.T MAP

CAT - EX6060

PDM NO: LCC180-0001-1

REV NO: B

Phone: +61 1800 987 525

E-mail: customerservice@cqmsrazer.com
Web: www.cqmsrazer.com



BILL OF MATERIALS

ITEM	QTY	DESCRIPTION	CR MINING PART NO.	STOCK CODE	MASS (KG)
1	1	TDS60X6C4300 - CAST LIP	N2000		7584
2	2	UPPER WING SHROUD WING	L6459W120-820T		136
3	1	SHROUD, LEFT, SLIM-LINE WING	L6818LW120-677T		150
4	1	SHROUD, RIGHT, SLIM-LINE	L6819RW120-677T		150
5	14	SHEAR BLOCK	GWS-0058		7.3
6	2	1 1/8" T BOSS 130	P3901TB130		3.5
7	2	1-1/8" x 9" T-BOLT KIT	M7002		1.9
8	2	T-BOSS 140 WELDMENT 1 1/4"	P265TB140		3
9	7	1-1/4" x 9" T-BOLT KIT	M7011		2.4
10	1	LIP SHROUD CENTRE STINGRAY	L6509C-473T		274
11	2	LIP SHROUD LH 10° STINGRAY	L6511LC-473T		269
12	2	LIP SHROUD RH 10° STINGRAY	L6510RC-473T		269
13	5	T-BOSS 140 WELDMENT 1 1/4"	P6814TB140		2
14	6	TRS60W WEDGELOCK KIT	TRS60W		10
15	6	TRS6030-500 ADAPTOR	TRS6030-500		176
16	6	500 SERIES CPX PIN ASSEMBLY	M500CPX		2
17	6	T9008-500PRS TIGER POINT TOOTH	T9008-500PRS		65
OPTIONAL					
18	6	TRS6030-LRP LONG ROCK TOOTH	TRS6030-LRP		250

FITTING INSTRUCTIONS

DESCRIPTION	PRODUCT MANUAL REFERENCE
T-BOLT FITTING INSTRUCTIONS	FB-0001-1
WEDGELOCK™ INSTRUCTIONS	FA-0014-1
CPX LOCK INSTRUCTIONS	FT-0002-1
WING SHROUD WELDMENT POSITIONING	FW-0002-1
LIP SHROUD WELDMENT POSITIONING	FW-0004-1
SHEAR BLOCKS	FS-0003-1